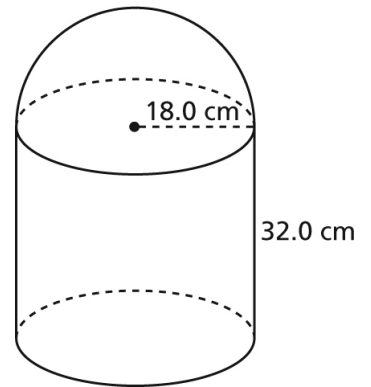
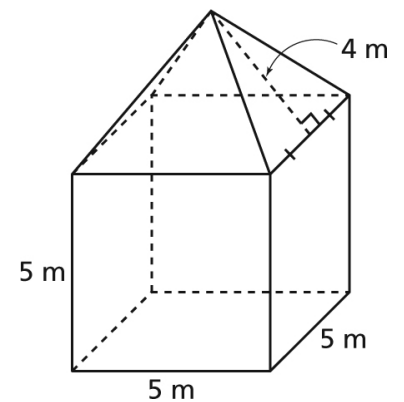


## Sec. 1.7-Solving Problems Involving Objects

1. Determine the volume of this composite object to the nearest tenth of a cubic centimetre.



2. Determine the surface area of this composite object.



3. A tool shed is formed by a rectangular prism with a triangular prism as its roof. Determine the surface area of the tool shed to the nearest square foot.

